

Mini-Monobloc Fill/Finish Packaging System



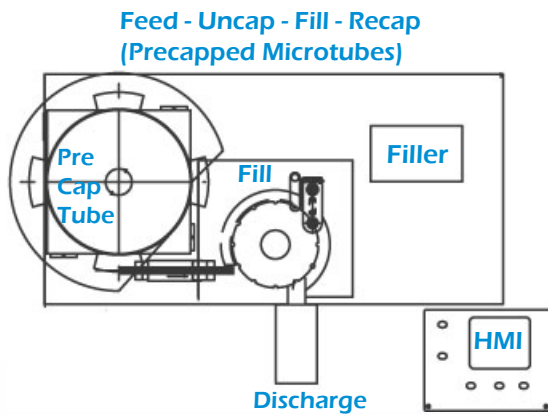
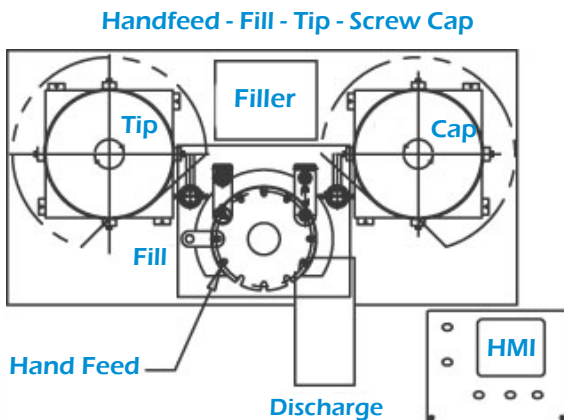
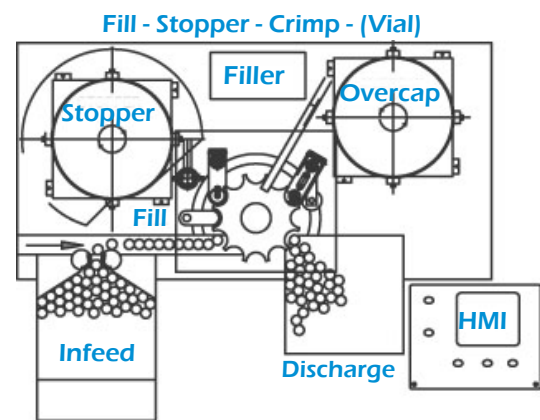
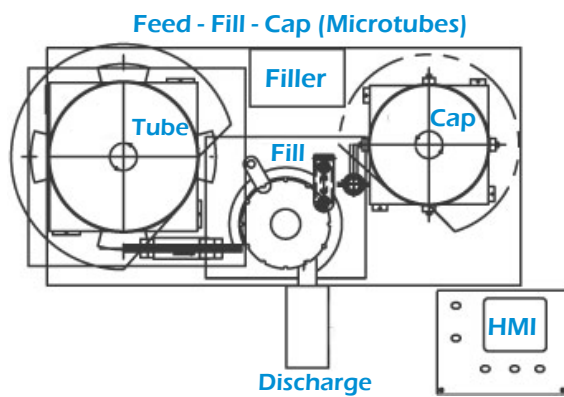
Mini-Monobloc

- Ability to Sort, Feed, Fill, Plug, Stopper, Crimp, Cap, and/or Accumulate in a Compact Footprint
- Optional Mounted Class 100 HEPA Filtration Hood
- Runs Plastic & Glass Vials, Microtubes, and Pre-Capped Microtubes
- Servo Driven Technology offers Improved Control and Reliability for Stopper/Tip Placement, Cap Torque, and Indexing Systems
- Pharmaceutical GMP Design Available
- User Friendly, Menu Driven HMI Touch Screen Operator Interface

Mini-Monobloc Specifications

Additional Features:

- ◆ Approximate Dimensions: 24" x 48" x 54"
- ◆ Fill Accuracy: +/- .25% or better
- ◆ Fill Volume Range: 0.5mL to 60mL
- ◆ Choice of Filling System: Positive Displacement, Peristaltic, or Micro-Dose Rotary Piston



Filamatic offers **COMPLIMENTARY** product testing and purchasing options including rentals and lease arrangements. For more information call 866.258.1914 or email info@filamatic.com.

